

SINGLE CHAMBER MACHINES

GK 195 B

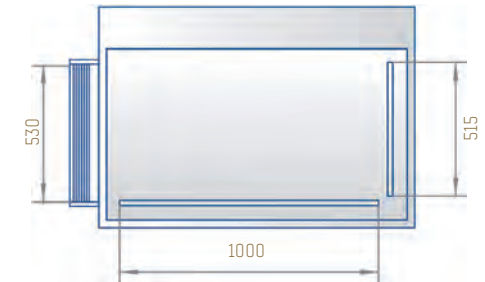




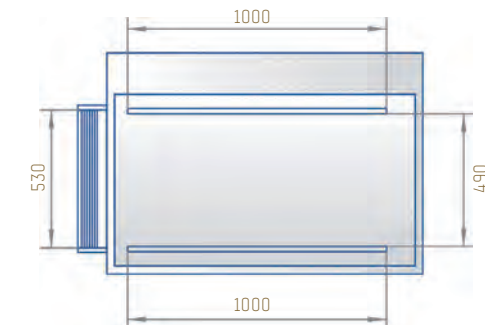
Your benefits

- ◆ Constructed of corrosion-resistant stainless steel.
- ◆ Single chamber machine with pneumatically driven conveyor belt in the chamber and lid drive with safety frame for fully automatic cycle sequence – single cycle can be triggered at the push of a button.
- ◆ Automatic ejection of the products by a continuously driven, height-adjustable conveyor belt (0-70 mm) – can be taken out from the chamber with one hand movement for quick and easy cleaning.
- ◆ Biactive high-pressure sealing guarantees safe and reliable seals despite folds, fats, oils and moisture in the seal area.
- ◆ Expansion cushion with removable frame shortens evacuation time up to 30% and prevents folds on the top of the package.
- ◆ Service-friendly.
- ◆ Hygienic design – easy and quick to clean.

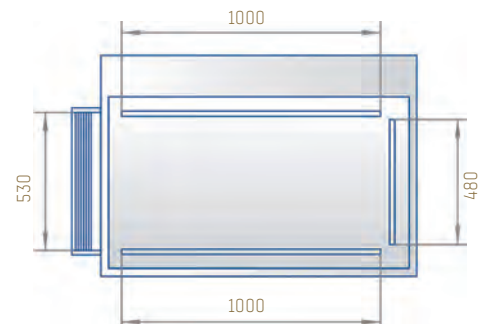
Model GK 195B/2R –
1 sealing bar in the front, 1 sealing bar on the right



Model GK 195B/2 –
2 sealing bars – front and rear



Model GK 195B/3R – 2 sealing bars –
front and rear – and 1 sealing bar on the right

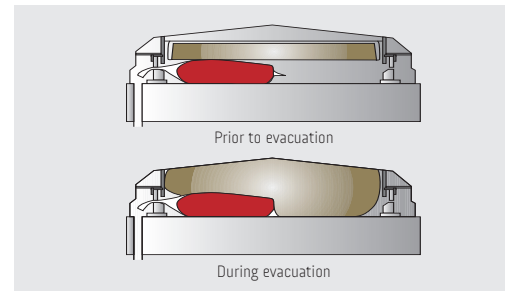


Standard equipment

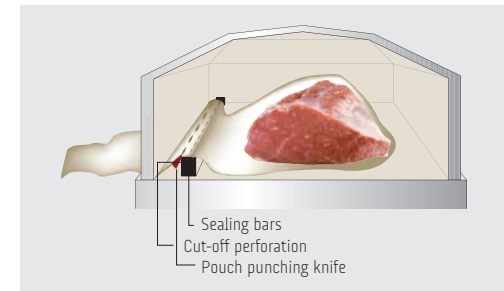
- ◆ Biactive high-pressure sealing with spring-loaded resistance wires.
- ◆ Microprocessor control DIGIMAT 6 (20 programs).
- ◆ Automatically swiveling outfeed rollers 130 mm.
- ◆ Expansion cushion with removable frame.

Options

- ◆ Double biactive high-pressure sealing.
- ◆ Cut-off perforation or complete cut-off:
The protruding bag material is perforated/separated by a stainless-steel knife parallel to the seal.
No thermal separation. Any material can be separated: shrink bags, laminated bags, aluminum bags.
Long durability.
- ◆ Water-cooled sealing bars.
- ◆ Gas flushing: Large pipe cross-sections allow rapid gas flushing – 6 nozzles on the front/rear sealing bar; 3 nozzles on the side bar.
- ◆ Recommended BUSCH vacuum pump: 250 m³/h with integrated exhaust fan.



The **expansion cushion with removable frame** reduces the evacuation time by up to 30% and prevents folds on the top side of the package.

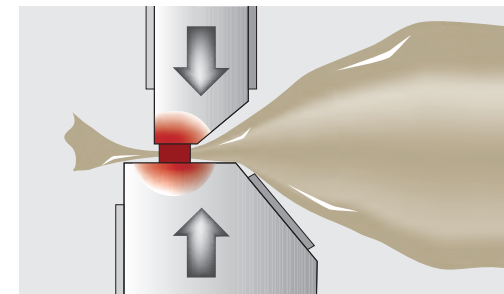


The **cut-off perforation** allows the manual removal of the protruding bag material.

The **pouch punching knives** are necessary so that the package can be evacuated even if the bag opening protrudes from the chamber.



Water-cooled sealing bars increase the durability of the Teflon and the sealing wires.



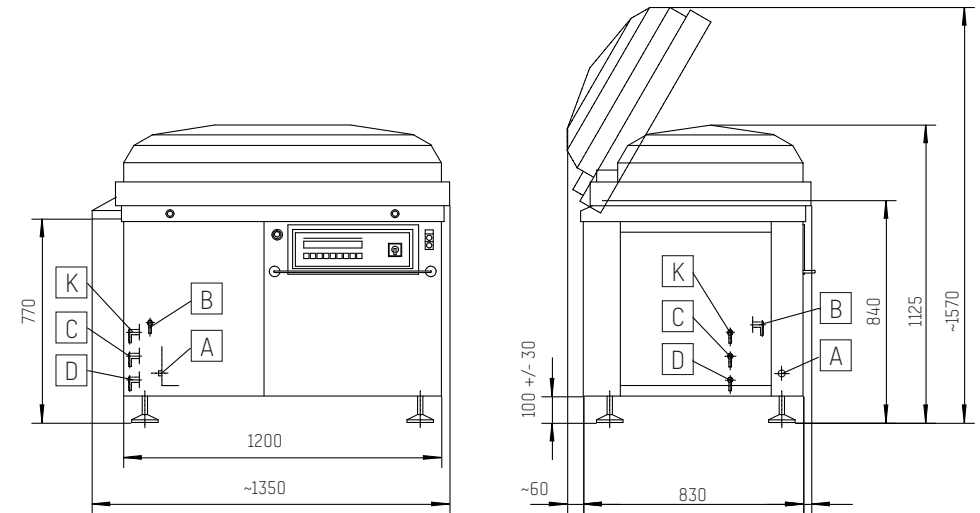
The **biactive sealing** guarantees safe and reliable seals despite folds, fats, oils and moisture in the seal area.

GK 195 B



Technical data

| | | |
|------------------------------------|-----------------------|-----------------------|
| Chamber size | | 1080 x 820 mm |
| Lid height | | 230 mm |
| Max. product height | with conveyor belt | 180 mm |
| | without conveyor belt | 230 mm |
| Sealing length | | 1000 mm |
| Spacing between bars | | 500 mm |
| Sealing bar height | | 45 or 65 mm |
| Recommended vacuum pump | | 250 m ³ /h |
| Power supply (without vacuum pump) | | 3.2 kW |
| Compressed air consumption | | 30 NLPM 6 bar |
| Total weight without pump | | approx. 350 kg |



- A** Power supply
- B** Compressed air connection R 1/4" - 9 mm
- C** Water supply R 1/4" - 9 mm
- D** Water drain R 1/4" - 9 mm
- K** Gas connection R 1/4" - 9 m



supervac 
FIRST CLASS PERFORMANCE

Supervac Maschinenbau GmbH
Kalterer Gasse 10
2340 Mödling | Austria

T: +43 2236 50 25 00

E-mail: office@supervac.at
Web: www.supervac.at