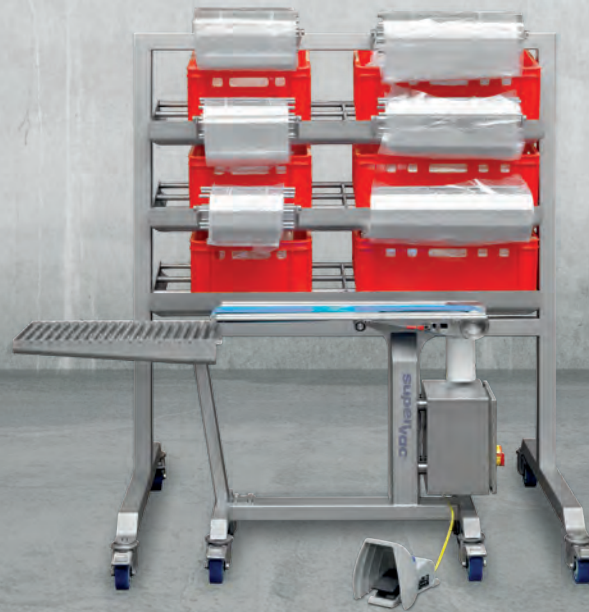


FILLING AID

EASYBAGGER



Easybagger – productivity boost in manual bag filling

Your benefits

- ◆ The Supervac Easybagger filling aids are used to boost productivity when filling vacuum bags manually.
- ◆ The Easybagger bag dispenser module provides up to 6 different formats of vacuum bags for parallel use. The vacuum bags are stored in E2 plastic bins in 2 vertical rows. The bag dispenser allows for a quick change of product widths.
- ◆ The Easybagger product filling device module consists of a driven conveyor belt, on which the products are conveyed into the bags, as well as 4 stabilizing sliding rods. As soon as the product has been conveyed into the bags, the operator stops the conveyor belt with the foot switch (alternatively: light barrier control). As a result, the bag openings are only minimally soiled.
- ◆ The semi-automatic modules require only one operator in total.
- ◆ Both modules are compact and transportable.
- ◆ Hygienic design, made for easy cleaning.
- ◆ Great attention has been paid to ergonomics and safety.
- ◆ Robust and made of stainless steel.

Easybagger bag dispenser module:

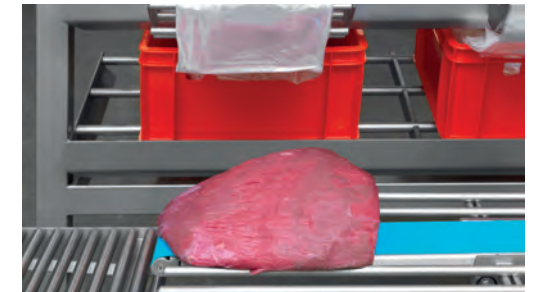
- ◆ 6 bag pull-off units.
- ◆ 6 receptacle platforms for E2 boxes.
- ◆ Stable frame design.
- ◆ Rollers.

Easybagger product filling device module:

- ◆ 1 driven product conveyor belt with belt tension-release function.
- ◆ 4 sliding rods adjustable in width.
- ◆ Foot switch to control the product conveyor belt. (Option)
- ◆ Stable frame design.
- ◆ Includes control box.
- ◆ Frequency converter for adjustable belt speed.



The chain bags can be swapped out according to the desired bag width.



Improved ergonomics and hygiene; reduces the need for operator intervention when filling; and optimizes the filling speed.



Technical data

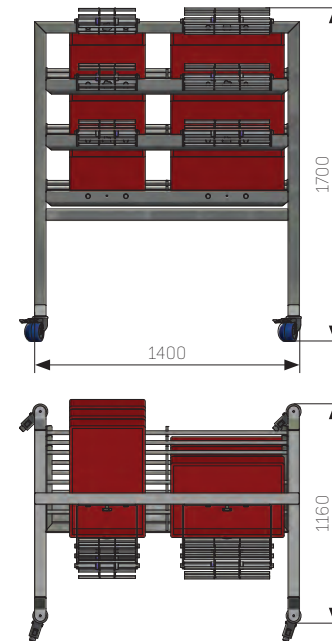
Easybagger bag dispenser module

Bag length	250 - 1000 mm
Bag width	200 - 600 mm
Bag type	chain bag
Weight	approx. 80 kg

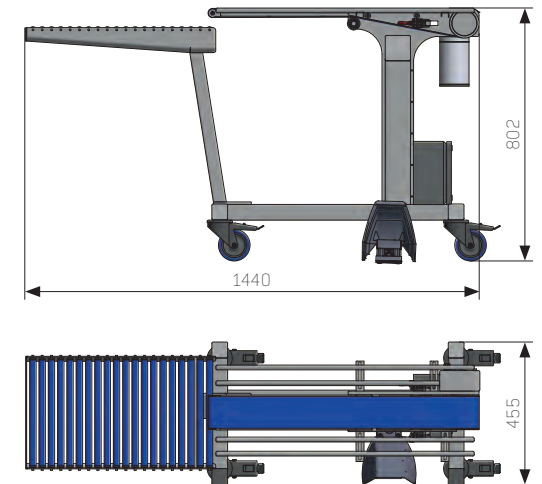
Easybagger product filling device module

Belt speed	variable
Free length of product conveyor belt	450 mm
Width of product conveyor belt	100 mm
Distance between sliding rods	variable
Weight	approx. 120 kg

Easybagger bag dispenser module



Easybagger product filling device module





supervac 
FIRST CLASS PERFORMANCE

Supervac Maschinenbau GmbH
Kalterer Gasse 10
2340 Mödling | Austria

T: +43 2236 50 25 00

E-mail: office@supervac.at
Web: www.supervac.at